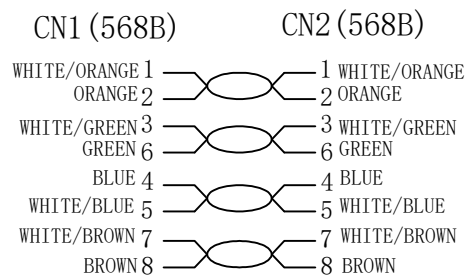


PIN OUT



MATERIAL LIST

⑥	LABEL	NO DRY GLUE LABEL	1	
⑤	MINI TIE	PE MINI TIE(POSSESS METAL)	2	
④	POLYETHYLENE BAG	SYNERGY 21 SLIP PE BAG	1	
③	Cable	CAT.6 U/UTP 24AWG(CCA)*4PAIRS, JACKET:PVC COLOUR: GRAY (421C) OD:6.0±0.2mm	1	
②	Over mold	80A PVC, COLOR: Gray (421C)	2	
①	CONNECTOR	RJ45 8P8C' UNSHIELDED, PIN GOLD PLATED 3u" TRANSPARENT	2	
NO.	PARTS NAME	SPECIFICATION STANDARD	QT' Y	REMARK

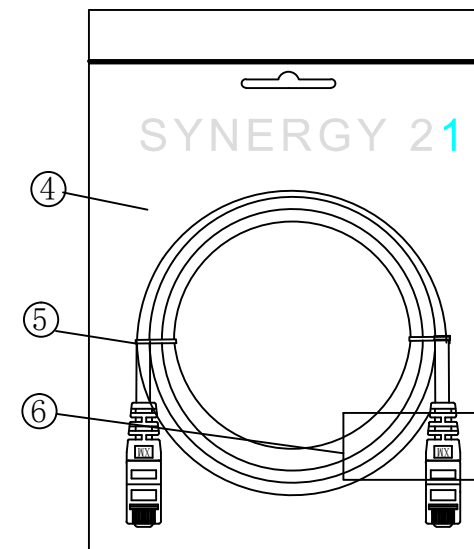
NOTE:

- Electrical test:
 - 100% open short & miss wire test;
 - Insulation resistance:DC 300V 3MΩ ;
 - Contact resistance:15Ω ;
- ROHS 2.0 AND REACH COMPLIANT
- PRINT WORD: **CAT.6 U/UTP 24AWG stranded X 4pairs Cable**
www.Synergy21.de **CE**
- PACKING:SYNERGY 21 PE Blister+LABEL

						SYNERGY 21							
CHANGE GREY TO PANTONE 421C						2018-03-20	A2	CUSTOMER NO.		ITEM NO.	SEE THE CHART		
ADD "CE" MARK IN TNE PRINT						2016-01-11	A1	PRODUCT NAME	CAT.6 U/UTP PATCH CORD	manufacture country:	CHINA	UNIT	MM
NEW						2009-08-20	A	DRAWNBY	CHECKBY	APPOBY	DATE		
BY	CHK	REVISION RECORD MODIFICATIONS				DATE	REV.	SYNERGY 21	SYNERGY 21	SYNERGY 21	2012-07-12		

CHART

COLOR: GREY (PANTONE 421C)		
ITEM NO.	LENGTH	PACKING
S216121	250 ± 10mm	SYNERGY21 Bag A
S216122	500 ± 15mm	SYNERGY21 Bag A
S216123	1000 ± 20mm	SYNERGY21 Bag A
S216124	1500 ± 30mm	SYNERGY21 Bag A
S216125	2000 ± 30mm	SYNERGY21 Bag A
S216126	3000 ± 50mm	SYNERGY21 Bag A
S216127	5000 ± 100mm	SYNERGY21 Bag B
S216128	7500 ± 200mm	SYNERGY21 Bag B
S216129	10000 ± 200mm	SYNERGY21 Bag B
S216130	15000 ± 300mm	SYNERGY21 Bag C
S216131	20000 ± 300mm	SYNERGY21 Bag C
S216132	30000 ± 300mm	SYNERGY21 Bag D



						SYNERGY 21						
						CUSTOMER NO.		ITEM NO.		SEE THE CHART		
						PRODUCT NAME	CAT. 6 U/UTP PATCH CORD	manufacture country:		CHINA	UNIT	MM
NEW				2009-08-20		A	DRAWNBY		CHECKBY		APPOBY	DATE
BY	CHK	REVISION RECORD MODIFICATIONS				DATE	REV.	SYNERGY 21	SYNERGY 21	SYNERGY 21	2012-07-12	